

4L1D CONTROLLER

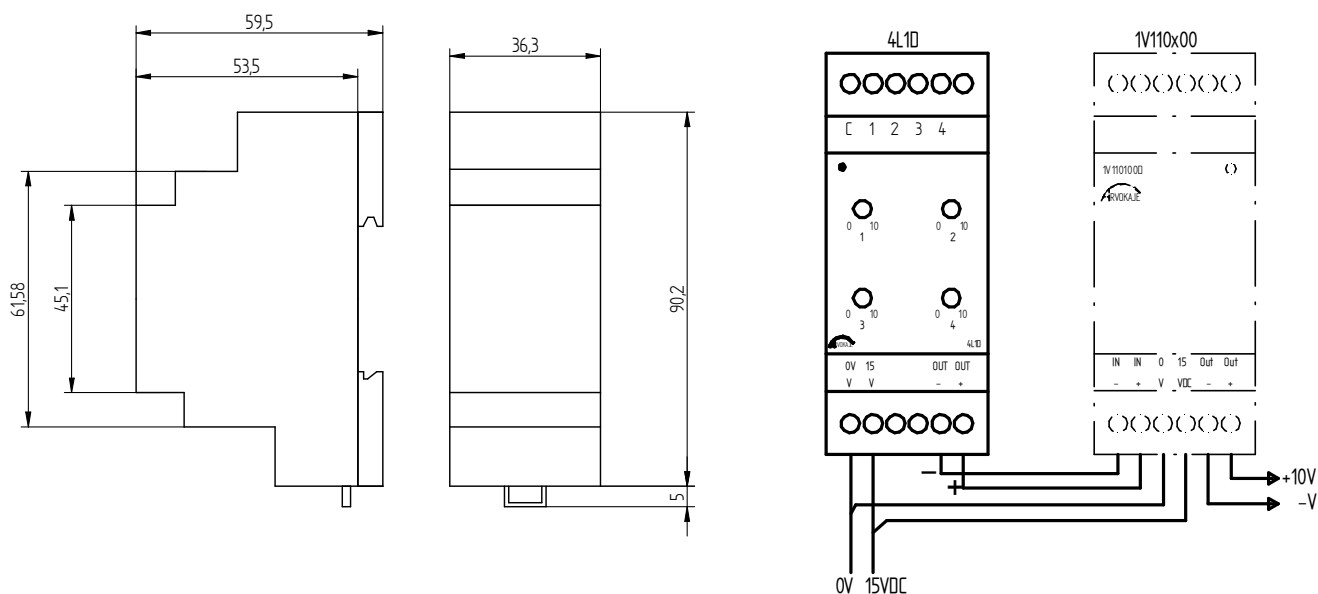
The controller 4L1D with preselection has four contact dimmable levels and one (0)1-10V damped output. Dimming levels are controlled with the potentiometers in front panel.

4L1D controller is perfect for ice and sport centers as well as for lighting adjustment in wider areas. The levels of dimming can be adjusted either by rotator switch or logic outputs. The number of dimmable lamps is not limited, when 1V110x00 amplifier is used.



4L1D technical data

- input voltage 12-28VDC
- input current 5-50mA
- fuse max 1A
- output voltage 0-10,5VDC, 3V/sec
- output current 20mA
- output transient shield 12V 600V/50ms
- output shield over voltage, over current, short circuit
- control inputs non-voltage contact
- screw connector terminals 0,5-1,5mm² fine / stranded / solid
- weight 0,1kg
- working temperature -40-+50C°
- IP class 20
- housing 2DIN
- vibration 5G
- standards CE



4L1D_5_2_E